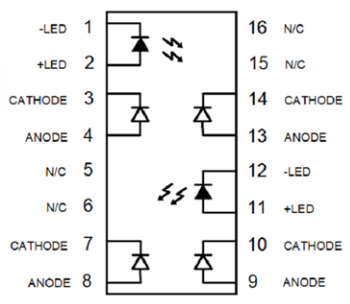
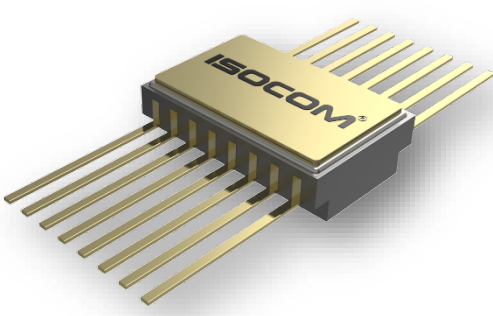
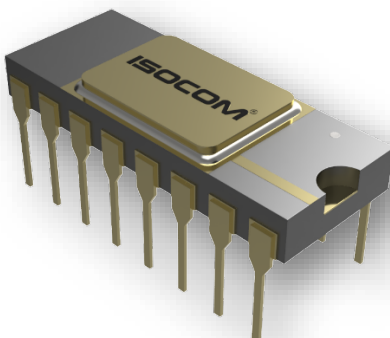


# CDL400 & CDSML400 Linear Optocouplers / Optoisolators

Presenting Our New Range of Radiation Tolerant Dual Channel Linear Optocouplers



The CDL400 and the CDSML400 are hermetically sealed linear optocoupler devices, consisting of an LED optically coupled with two photodiode detectors. Package styles for these devices include a 16-Pin DIP package for the CDL400 and a 16-Pin flatpack package for the CDSML400 with lead form options and solder dip options available.

The photodiode on the input side of this device acts as a feedback to the LED to maintain constant LED current light output. The output photodiode drives the output circuit and maintains electrical isolation. These high reliability optocouplers maintain a linear operation in input-to-output optical coupling.

The devices are designed and manufactured to maintain a narrow range of current transfer ratio over a wide range of input currents. These radiation hard optocouplers compensate for the large decrease in LED light output with temperature by operating the phototransistor at high injection.

Galvanic isolation is required for these electronic components to be used in the harsh environments that are encountered in space and aerospace applications, as well as for use in other applications including – military equipment, medical instruments, MOS/CMOS, logic interfacing and power supplies. The CDL400 and CDSML400 can be used in linear amplifiers and power converters.

These components are TID tested to 150 Krad(Si) and Displacement Damage tested to 1 MeV x 10<sup>13</sup>. They operate within the full military temperature range (-55°C to 125°C) and have an input-to-output isolation voltage of 1,500 V<sub>DC</sub>.

*ISOCOM offers a wide range of electronic components, including optocouplers, MOSFETs, solid state relays and more; available in a variety of circuits configurations, package styles & finishes. Their products are suitable for space, defence, aerospace, medical & industrial applications.*

*All ISOCOM products are designed, manufactured, and tested at their 18,000 sq ft purpose-built manufacturing and office facility located in Peterlee, County Durham, UK. The building is specifically designed to accommodate their advanced manufacturing and testing processes and allows them to develop custom solutions based on individual requirements and complex specifications.*

*Regular audits ensure that they continue to produce products to the highest standards. ISOCOM and their facilities are accredited to AS9100D and ISO9001, meaning that customers can remain confident in their level of ability and service. ISOCOM space and defence level products are screened in accordance with MIL-STD. MIL-PRF-19500 for single-chip, and MIL-PRF-38534 for multi-chip products.*



To learn more about ISOCOM and their products, please visit [www.isocom.uk.com](http://www.isocom.uk.com). For any other information, please email [sales@isocom.uk.com](mailto:sales@isocom.uk.com).